

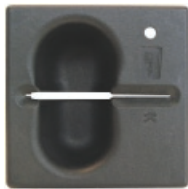
Spectrum™ III Insert Reader Bezel Configurations



Standard Bezel



Metal Bezel



Standard Flush Mount Bezel



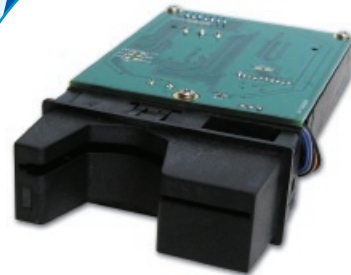
Large Flush Mount Bezel



Spectrum III with Standard Bezel

Bezel Features:

- Flush Mount bezels come in black plastic, or silver finished metal
- Tri-color LED comes standard on all bezels
- Plastic flush mount bezels have 1.0 inch long studs molded in for ease of mounting to various thickness housings
- All bezels designed with maximum depth finger holes for easy insertion & withdraw of cards
- Metal bezel is die-cast from Zamak for maximum strength & durability
- All flush mount bezels have logo showing card orientation
- LED guides user through reading process and indicating unit status
- Bezels designed with vandal resistance from insert reader's card guides
- All mounting is accomplished from inside enclosure so that there are no exposed fasteners
- Debris gate prevents foreign objects from entering card slot



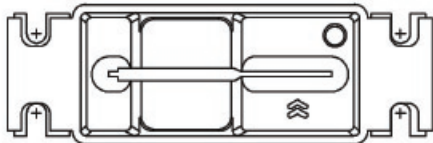
Spectrum III Compact

IDTECH[®]
Value through Innovation

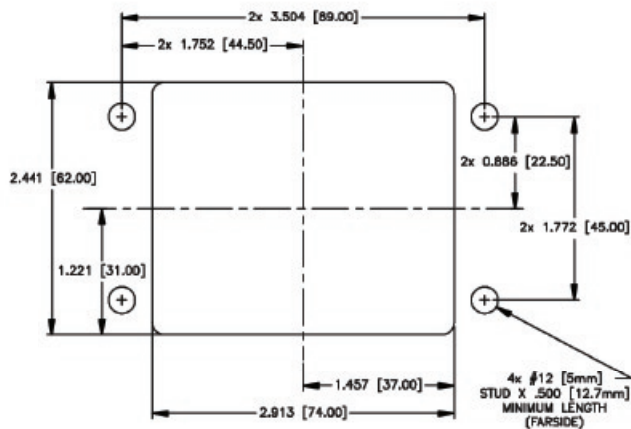
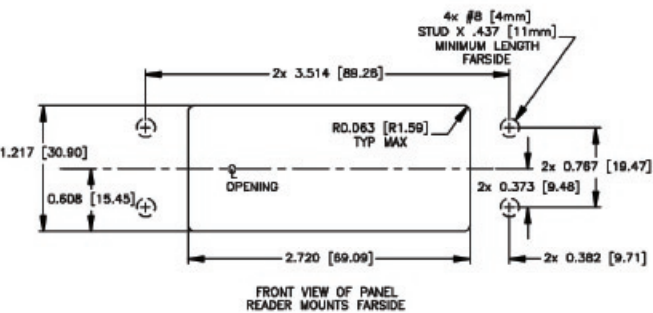
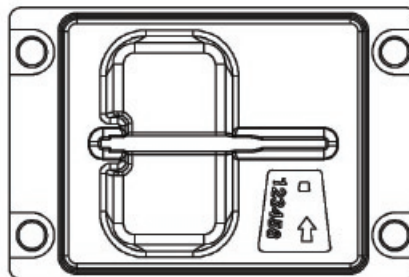


Mechanical Drawings and Dimensions

Standard Bezel & Recommended Cutout

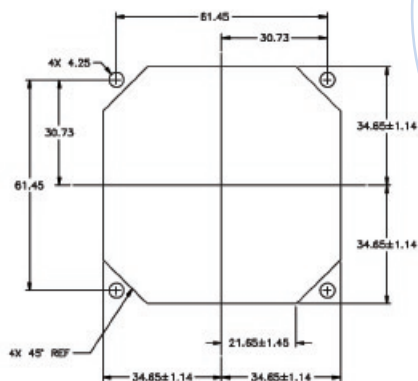
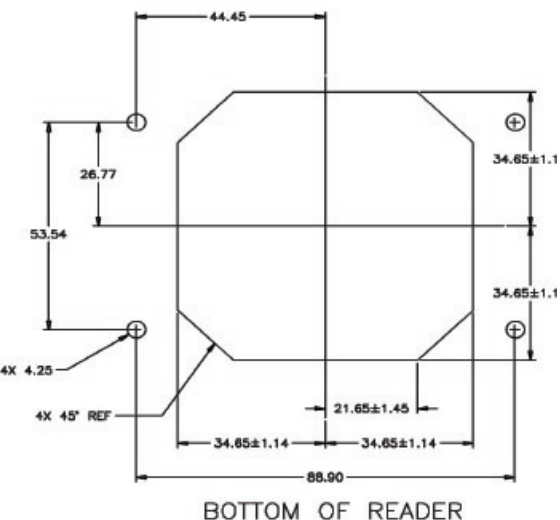
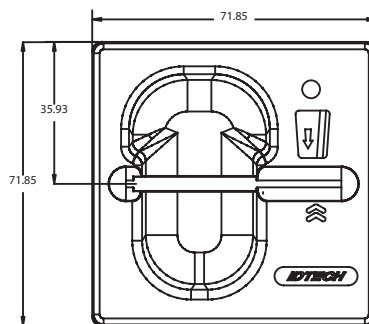
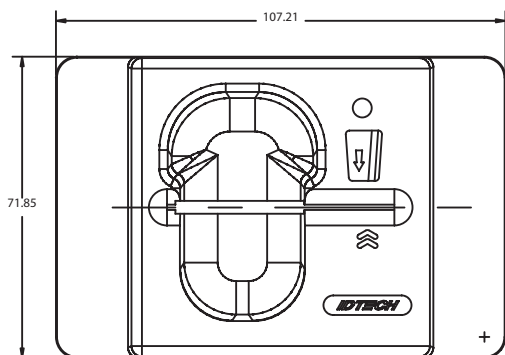


Metal Flush Mount Bezel & Recommended Cutout



Large Flush Mount Bezel Recommended Cutout

Standard Flush Mount Bezel Recommended Cutout



IDTECH[™]
Value through Innovation

Headquarter:

10721 Walker Street Cypress, California 90630

(714) 761-6368 Fax: (714) 761-8880

www.idtechproducts.com

ID TECH International Sales Office for Canada

& South America:

(450)465-5261 Montreal, Canada

robertop@idtechproducts.com

ID TECH Europe Sales Office:

+33 (0) 5 65 50 28 59 France

iann@idtechproducts.com

ISO 9001:2000 Certified